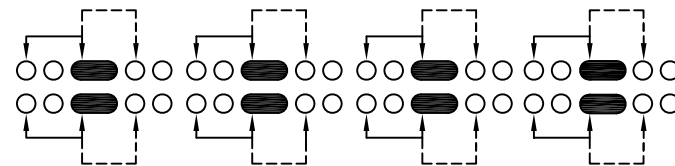
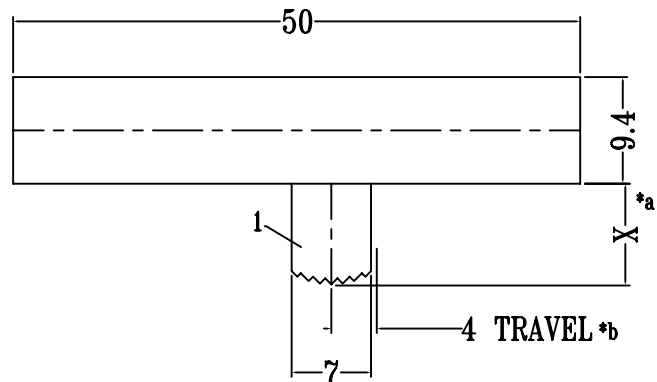
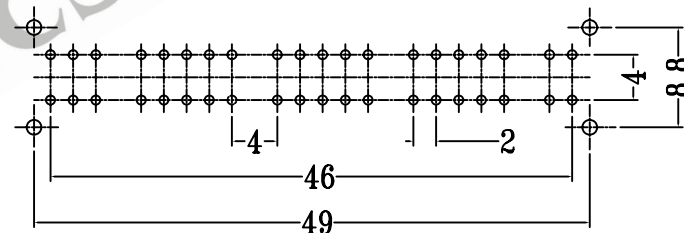
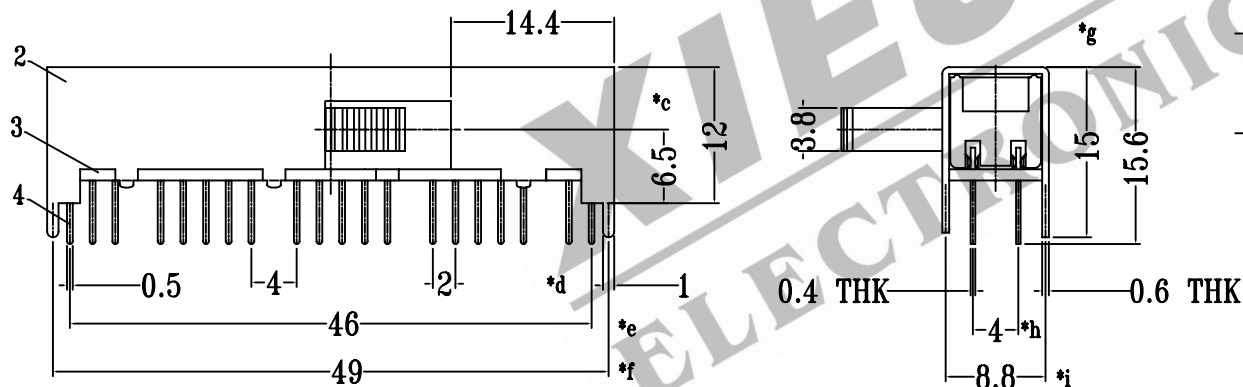




CAD FILE:



SCHEMATIC (NOT-SPECIFIED)



P.C.B LAYOUT

注:带"*"表示关键尺寸(9个)

| NO. | PART NAME | MATERIAL | QTY | FINISHING | TOLERANCE UNLESS SPECIFIED | SHENZHEN XIEJIA ELECTRONICS CO.,LTD. | | | | | |
|-----|---------------|----------------|-----|--------------------------|---------------------------------------|-----------------------------------------|--|------------|----------------------------|--------------|----------|
| 8 | | | | | | ISSUE | | DATE | | DESCRIPTIONS | APPD |
| 7 | CONTACT(CLIP) | PBS STRIP | 8 | Ag PLATED | WITHIN: 1.5±0.1mm OVER : 1.5±0.2mm | TITLE: HORIZONTAL SLIDE SWITCH | | UNIT : MM | DRWG NO.: XJ-DR-SK82H08-00 | | |
| 6 | STEEL BALL | STEEL | 1 | NATURAL | | MODEL: SK-82H08 | | SCALE: 3:2 | DWN | ZHOUYU | 2001-5-2 |
| 5 | SPRING | STEEL WIRE | 1 | TEMPER | | ALL MATERIALS MUST BE COMPLIANT TO ROHS | | | CHK'D | FANGYING | 2001-5-2 |
| 4 | TERMINAL | BRASS STRIP | 40 | Ag PLATED OVER Ni PLATED | | | | | APPD | KANGXINAN | 2001-5-2 |
| 3 | TERMINAL BASE | PHENOLIC RESIN | 1 | NATURAL | | | | | | | |
| 2 | FRAME | STEEL STRIP | 1 | Ni PLATED | | | | | | | |
| 1 | KNOB | POM | 1 | BLACK | | | | | | | |